

# E-Series Padlock

## SBE - Sliding Bolt



### Application

High security padlock, for general use with Mul-T-Lock high security padbars or any other suitable pad bars. Ideal for applications requiring high bolt protection.

### Operation

Unlocking with a 65° key rotation.

### Options

Available with different bolt diameters and clearances. Black electrophoretic finish. For special projects, the padlocks are available with clearances as required.

### Materials

Body: Case Hardened Steel.

Bolt: Hardened Boron Alloy Steel.

### Additional Features

Rotating disk to resist drilling. Protective shutter to prevent dust contamination. Durable and corrosion-resistant. Spring loaded bolt for easy use.

### Cylinder Mechanism

Mul-T-Lock unique high precision 10 telescopic pin tumbler system. Pick and drill resistant for high security needs.

### Keys

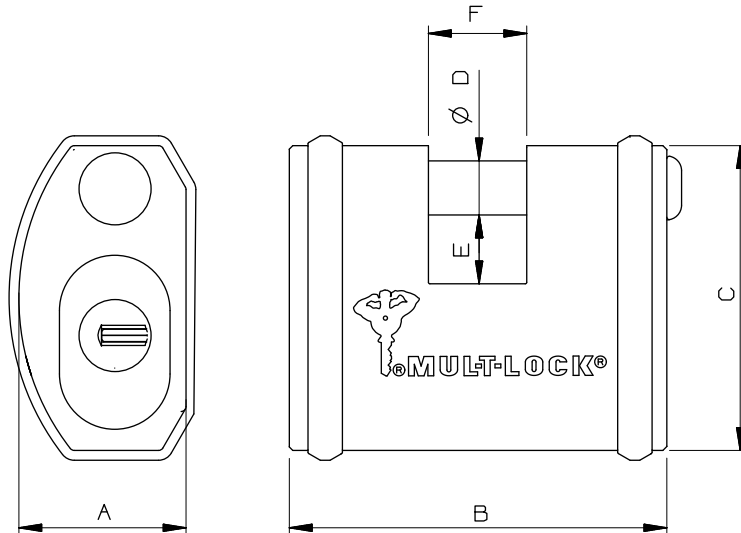
Reversible Nickel Silver key with plastic key head and coloured insert for identification. Also available in all-Nickel Silver.

### Key Security

Orders for keys marked "do not duplicate" should only be made upon presentation of a key card.

### Cylinder Options

Classic, Interactive® (patented). '3 IN 1' (changeable combination). Keyed different, Keyed alike, Master keyed.



Model number		Body			Bolt & Clearance		
		A	B	C	D	E	F
SBE 11 P	mm	34	77	62	11	14	20
	Inch	1.338	3.014	2.440	0.433	0.551	0.787
SBE 11 R	mm	34	77	62	11	14	28
	Inch	1.338	3.014	2.440	0.433	0.551	1.102
SBE 13 P	mm	34	86	72	13	15	25
	Inch	1.338	3.385	2.834	0.511	0.590	0.984
SBE 13 R	mm	34	86	72	13	18.5	36
	Inch	1.338	3.385	2.834	0.511	0.728	1.417

R- regular P- optimal for use with padbar

