

Profile Cylinders Accessories & Options

Special Reinforced Cylinder

Enhanced resistant to breaking attempts.



'Emergency Cylinder'

Operated with key inserted and rotated on opposite side. Enables both sides to be permanently operational.



Anti-Ligature Thumbturn with external override

Innovative thumbturn mechanism with emergency override. The product has been specially designed to address the risk of self-harm within psychiatric and probationary type accommodation facilities.

Specially designed Anti-Ligature Thumbturn together with a unique emergency override mechanism, provides occupant privacy while enabling immediate access for medical or supervisory staff if necessary.



Profile Cylinders Accessories & Options

Thumbturn Range



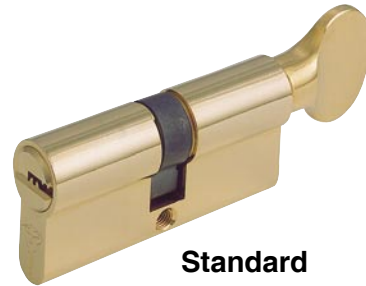
**Special Round
Thumbturn**



**Triangle
Thumbturn**



**Round
Thumbturn**



**Standard
Thumbturn**



**Ellipse
Thumbturn**

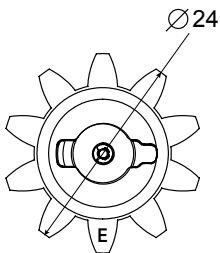


**Oval
Thumbturn**

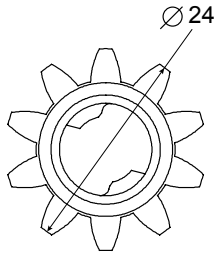


**Anti-Ligature
Thumbturn**

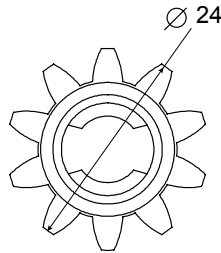
Available Cogwheels (mm)



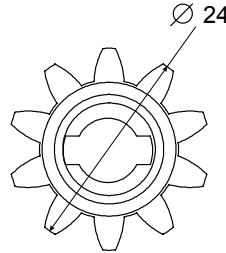
**z=10
m=2
P/N 82600280**



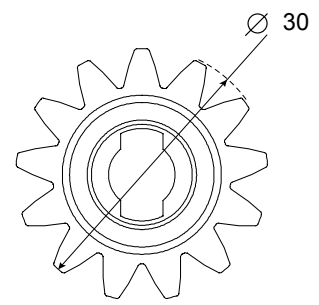
**z=10
m=2
P/N 80001776**



**z=10
m=2
P/N 8000461**



**z=10
m=2
P/N 80001081**



**z=13
m=2
P/N 89100011**



Profile Cylinders Accessories & Options

Cams Available (mm)

<p>P/N 83600002</p>	<p>P/N 81200002</p>	<p>P/N 81200003</p>	<p>P/N 81200004</p>	<p>P/N 81200007</p>
<p>P/N 83600003</p>	<p>P/N 81200008</p>	<p>P/N 81200009</p>	<p>P/N 81200012</p>	<p>P/N 81200013</p>
<p>P/N 83600004</p>	<p>P/N 81200014</p>	<p>P/N 81200015</p>	<p>P/N 81200018</p>	<p>P/N 81200019</p>
<p>P/N 85700003</p>	<p>P/N 86101002</p>	<p>P/N 82400004</p>	<p>P/N 83003010</p>	<p>P/N 83003011</p>
<p>P/N 85600004</p>	<p>P/N 81700003</p>	<p>P/N 82600260</p>		

