

C-Series Padlock

Single Pin



Application

High security padlock, for general use with commercially available hasps or heavy duty chains which accept 13mm pins.

May also be used for securing externally mounted spare wheels on vehicles (e.g. 4x4).

Operation

Unlocking with 55° key rotation.

Options

Variety of pin lengths.

Available in black or nickel finish.

Materials

Shell: Hardened Steel.

Core: Black Plated Solid Brass.

Locking pin: Hardened Steel Alloy.

Additional Features

Protective shutter to prevent dust contamination. Drainage holes to prevent freezing.

Cylinder Mechanism

Mul-T-Lock unique high precision 10 telescopic pin tumbler system.

Pick and drill resistant for high security needs.

Keys

Reversible Nickel Silver key with plastic key head and coloured insert for identification. Also available in all-Nickel Silver.

Key Security

Orders for keys marked "do not duplicate" should only be made upon presentation of a key card.

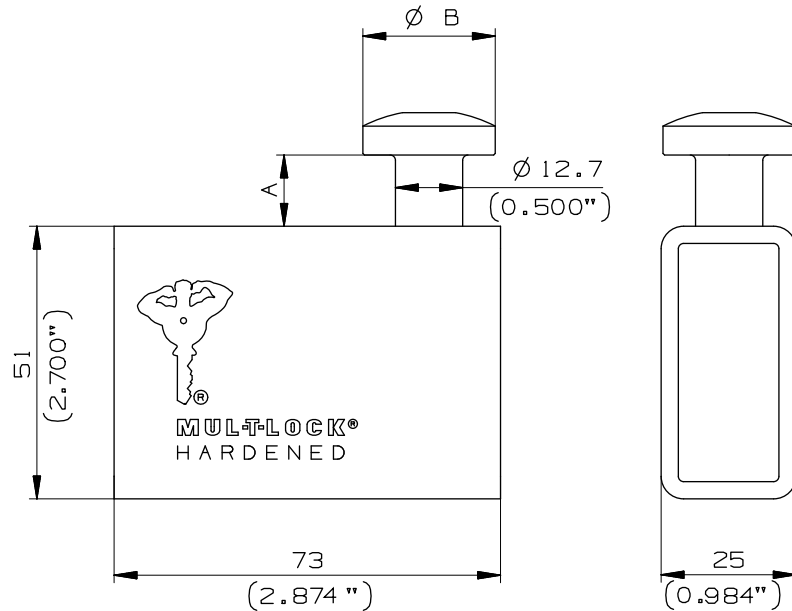
Cylinder Options

Classic, Interactive® (patented).

'3 IN 1' (changeable combination).

Keyed different, Keyed alike,

Master keyed.



A		B	
mm	Inch	mm	Inch
6	0.236	25	0.984
10	0.393	25	0.984
10	0.393	40	1.574
13	0.511	25	0.984
13	0.511	30	1.181
15	0.590	25	0.984
21	0.826	25	0.984
31	1.220	25	0.984
35	1.377	25	0.984
47	1.850	25	0.984
80	3.149	25	0.984

