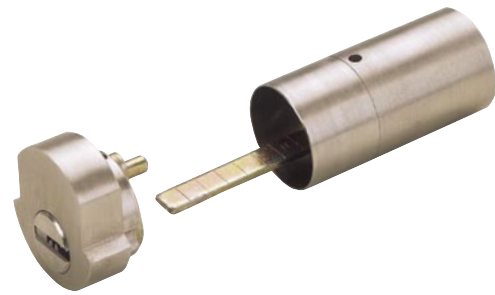


Cylinder for "Cisa" Type Locks



Application

Compatible with "Cisa" type surface-mounted lock cases.

Operation

360° rotation by operating key.

Materials

Body and plug: Brass.

Cam: Steel.

Pins: Nickel Silver & Stainless Steel.

Available Finishes

See table in page C490v1.

Cylinder Mechanism

Mul-T-Lock unique, high precision up to 10 telescopic pin tumbler system. Pick and drill resistant for high security needs.

Keys

Reversible Nickel Silver key with plastic key head and coloured insert. Also available in all-Nickel Silver.

Key Security

Orders for keys marked "do not duplicate" should only be made upon presentation of a key card.

Cylinder Options

Classic, Interactive (patented).

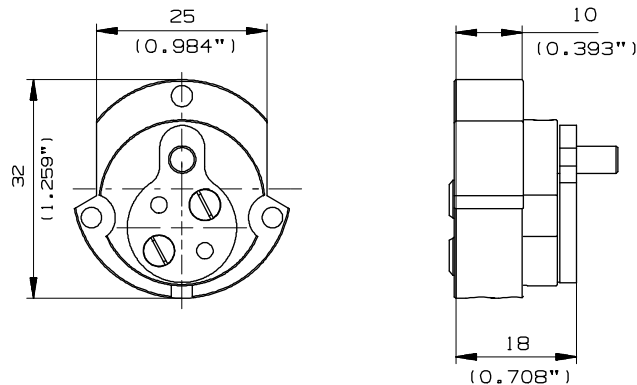
'3 IN 1' (changeable combination).

Keyed different, Keyed alike,

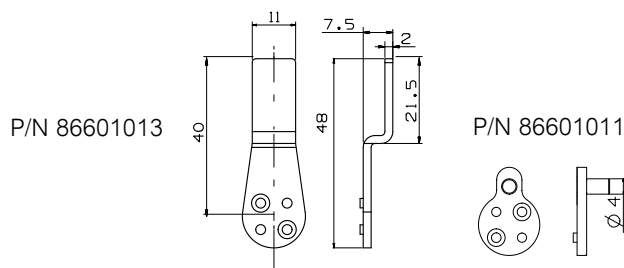
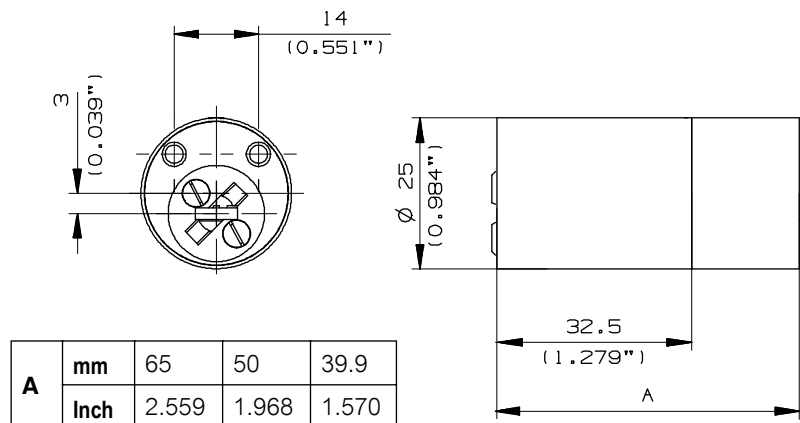
Master keyed.

Note: Internal cylinder with 4 pins.

Internal Cylinder



External Cylinder



Available as a pair of internal and external cylinders, or external only.

