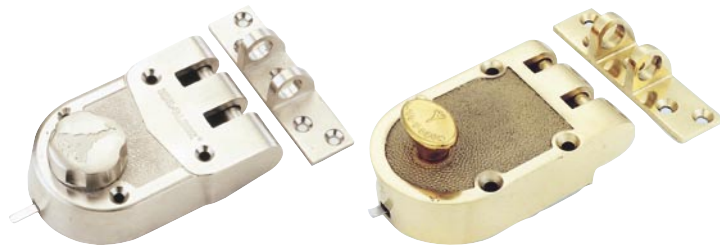


Jimmyproof Deadlock



Perseus™

Standard

Application

For use on commercial and residential doors to provide jimmy resistant locking.

Operation

90° key rotation activates the lock mechanism.

Options

Standard, Perseus™.

Available separately with rim cylinder and/or with "TOPGUARD" inner cylinder (standard only) or thumbturn.

Materials

Body: Cast Copper.

Locking strike mechanism: Steel.

Available Finishes

See table in page C210v1.

Cylinder Mechanism

Mul-T-Lock unique high precision up to 10 telescopic pin tumbler system. Pick and drill resistant for high security needs.

Keys

Reversible Nickel Silver key with plastic key head and coloured insert for identification. Also available in all-Nickel Silver.

Key Security

Orders for keys marked "do not duplicate" should only be made upon presentation of a key card.

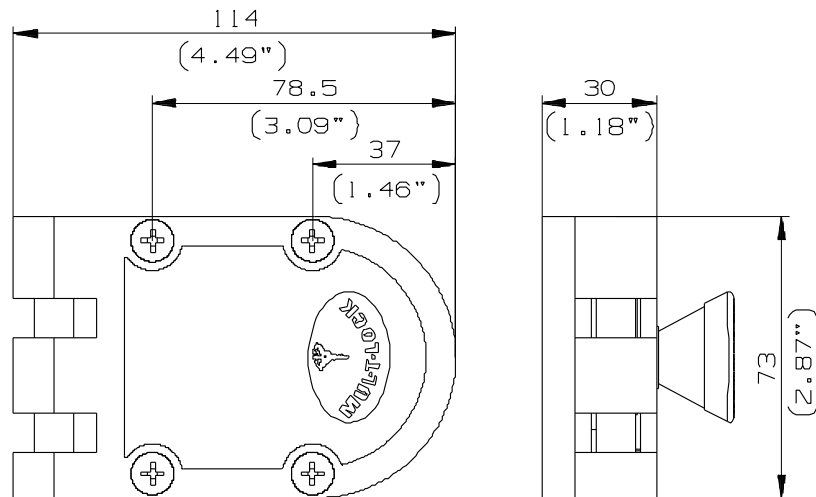
Cylinder Options

Classic, Interactive® (patented)..

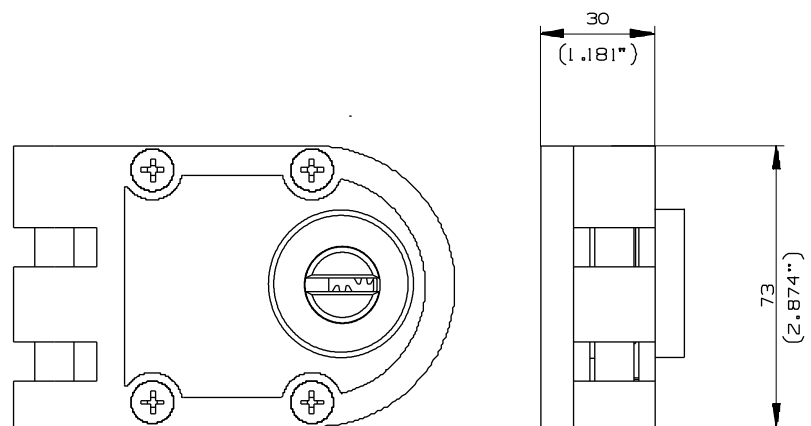
Keyed different, Keyed alike,

Master keyed.

'3 IN 1' (changeable combination).



Inner cylinder (Standards only)



Strike

