

# Cam Lock

## Ø19mm (3/4")



### Application

Mul-T-Lock cam locks are available in various sizes, making them suitable for a wide range of applications (e.g. cabinets, drawers, parking meters, lockers, cash boxes, pay telephones etc.).

### Operation

Retaining: 90°, 180° cam rotation.  
Non retaining: 90° cam rotation.  
Adjustable for clockwise and counter-clockwise operation.

### Materials

Body, plug and ring: Brass.  
Cam: Steel.  
Pins: Nickel Silver & Stainless Steel.

### Available Finishes

See table in page C210v1.

### Cylinder Mechanism

Mul-T-Lock unique, high precision up to 10 telescopic pin tumbler system. Pick and drill resistant for high security needs.

### Keys

Reversible Nickel Silver key with plastic key head and coloured insert for identification. Also available in all-Nickel Silver.

### Key Security

Orders for keys marked "do not duplicate" should only be made upon presentation of a key card.

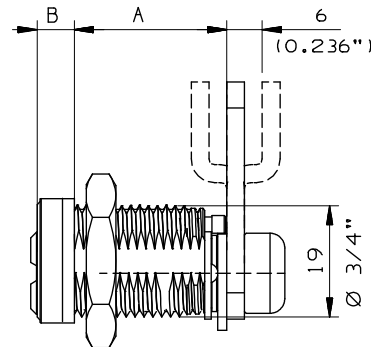
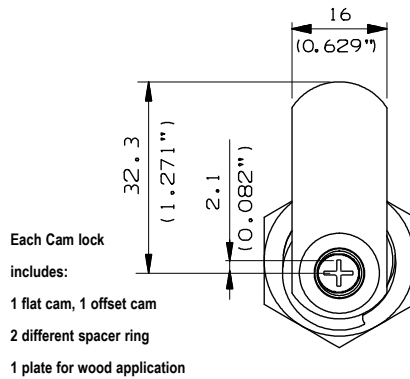
### Cylinder Options

Classic, Interactive® (patented).  
Keyed different, Keyed alike, Master keyed.  
Variety of cams.

### Standards

UL437.

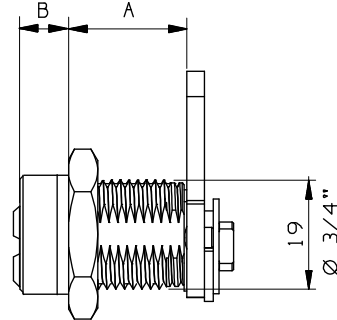
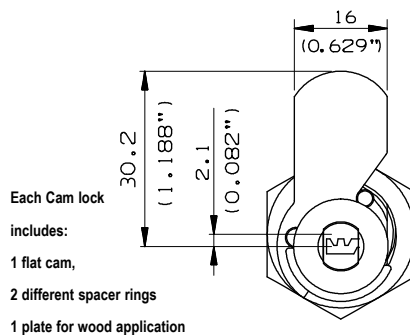
### Retaining Key



	A*	B	Chambers
Inch	7/8	0.134	4
mm	22.2	3.4	
Inch	1 1/8	0.315	5
mm	28.6	8.9	
Inch	1 1/2	0.370	5
mm	38.1	9.4	

\* Length is given without spacer ring.

### Non Retaining Key



### Required Opening for Installation

